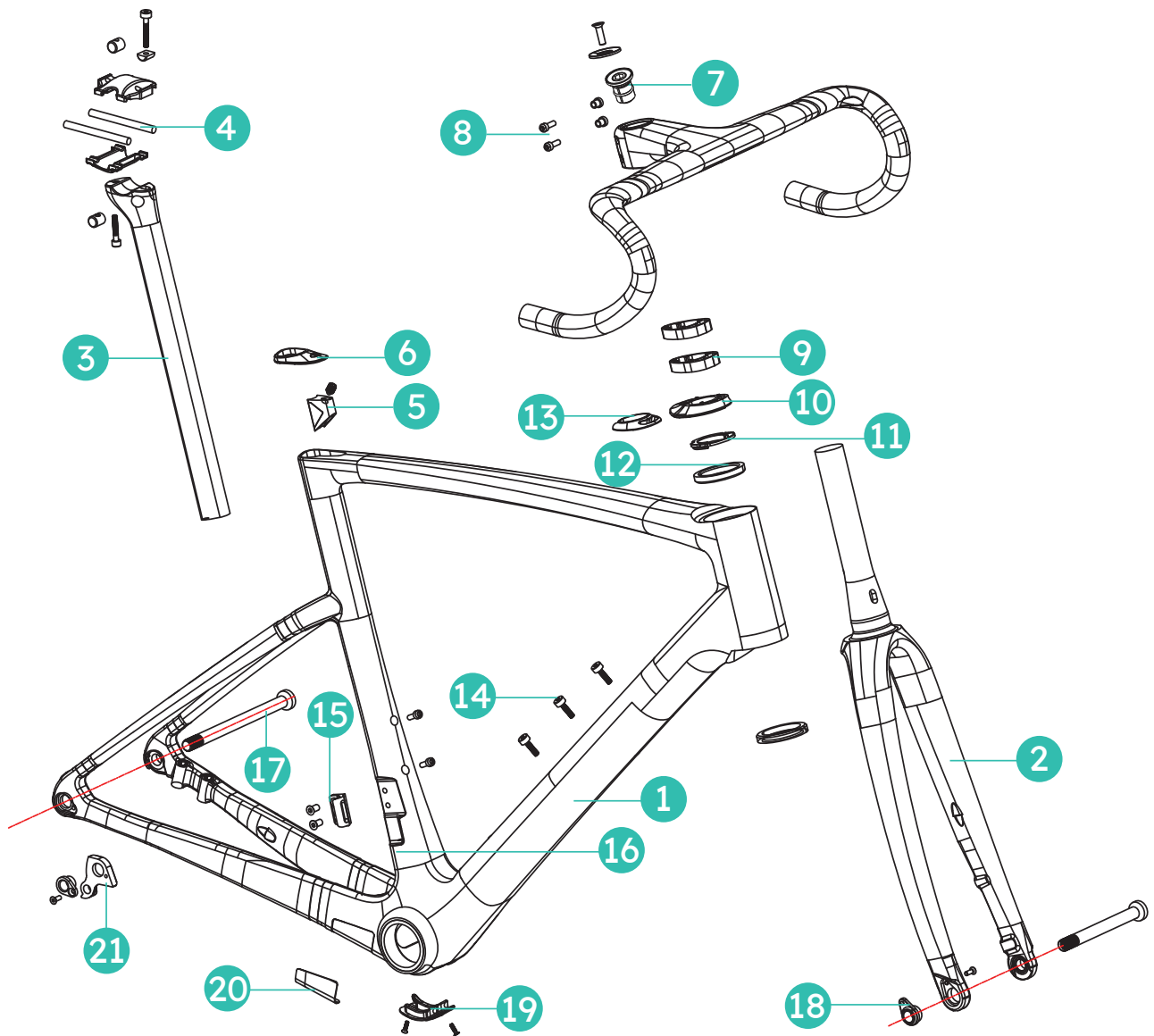


 Disc Brake



TOA Disc Brake Frameset comes with the following parts:

1	TOA Disc Brake Frame	12	Headset Bearing
2	TOA Disc Fork	13	External Cabling Exit Cover
3	TOA Seatpost	14	Water Bottle Cage Bolt (2-3Nm)
4	Saddle Rail Clamp (6Nm)	15	Front Derailleur Hanger (3-4Nm)
5	Seatclamp (8-10Nm)	16	Cable Stop
6	Seatpost Water Seal	17	CHAPTER2 Thru Axle Front: 12 x 100mm, Rear: 12 x 142mm, Pitch: M12 x 1.5mm (10-12Nm)
7	Headset Top Cap and Bolt (2-3Nm) , Expander (5-7Nm)	18	Fork Removable Thru Axle Drop Out (2-3Nm)
8	MANA2 Stem Bolt (6Nm)	19	Cable Routing Access Cover (1-2Nm)
9	Spacers (3x10mm & 1x5mm)	20	Stainless Steel Alloy Guard
10	TOA Headset Cover	21	Rear Derailleur Hanger (2-3Nm)
11	Headset Compression Ring		

